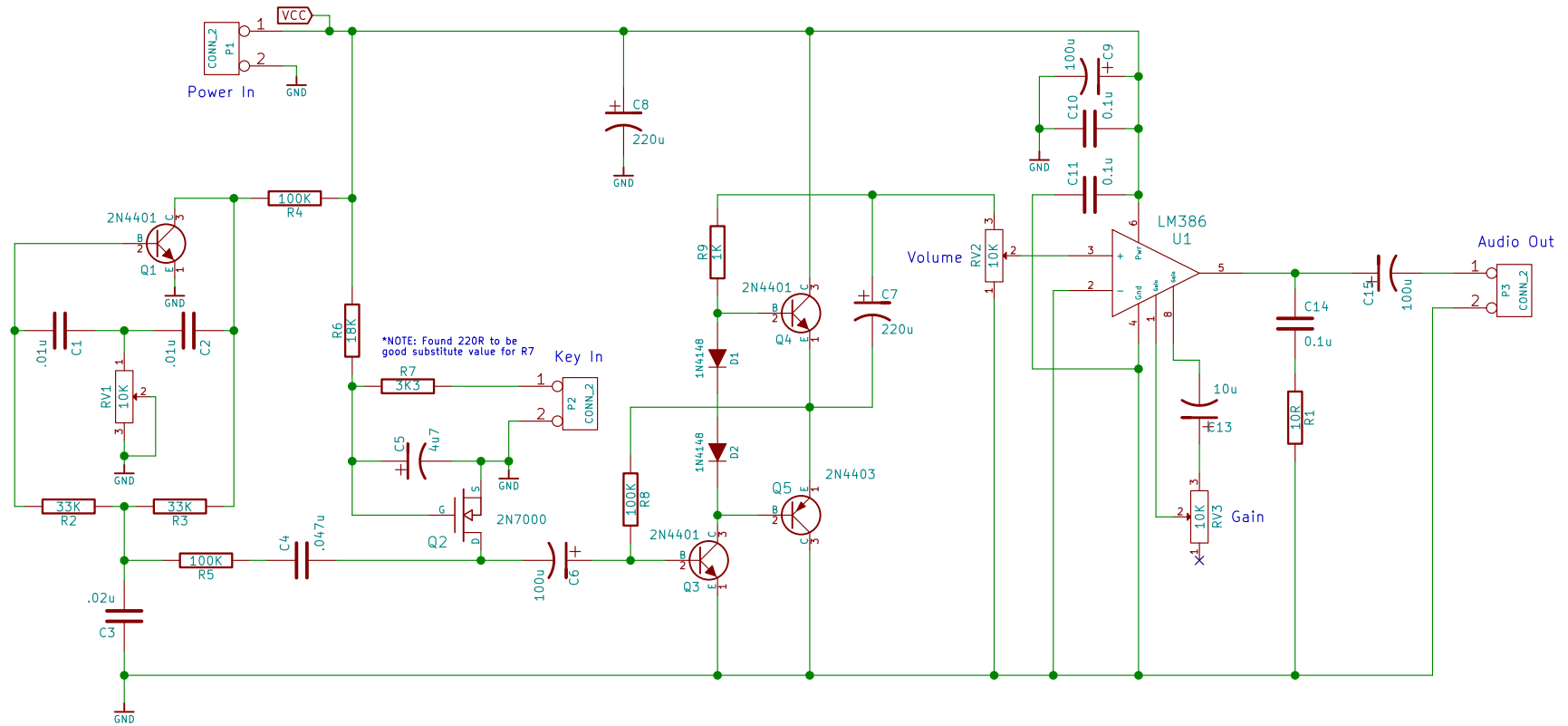


Twin 'T' Morse Practice Oscillator v2.00

by Mike Maynard – K4ICY



Circuit modification and layout by Steve Smith – G0TDJ

Sheet: /
File: CW Practice Oscillator v2.00.sch

Title: Twin 'T' Morse Practice Oscillator by Mike Maynard – K4ICY

Size: A4
KiCad E.D.A. kicad 4.0.7

Date:

Rev: v2.00
Id: 1/1