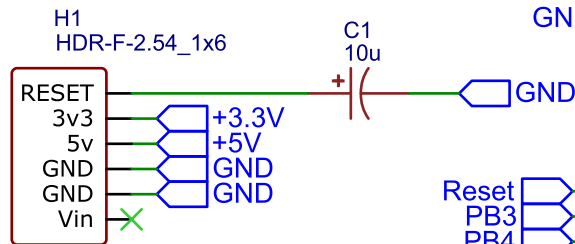
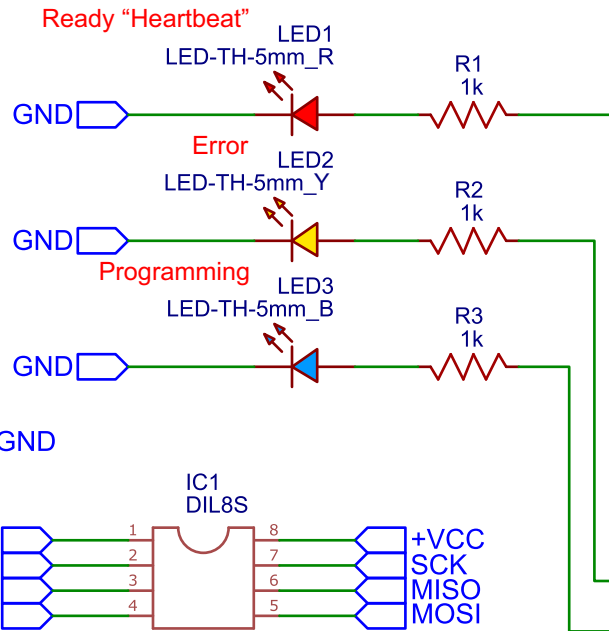


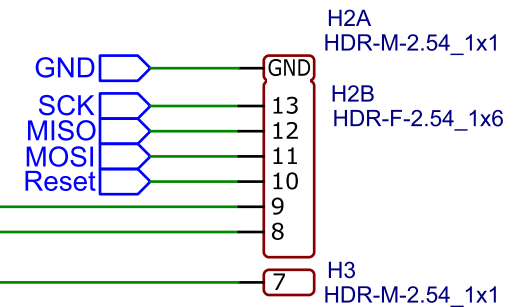
This Arduino shield is intended to be used with the "Arduino as ISP" example sketch. An ATtiny25, 45, 85 and other 8-pin AVR's, in the DIP socket can be programmed as well as bootloader burned, and when the shield is removed from the Arduino the AVR can be run on its own via supplied power using the breakout pins provided. And a standard ISP (ICSP) header arrangement is also provided for other devices.



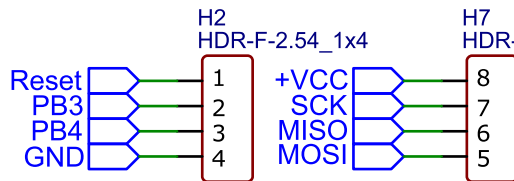
Arduino Voltage Pins (Left Side)



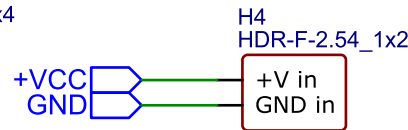
ATtiny 8-Pin Programming Socket



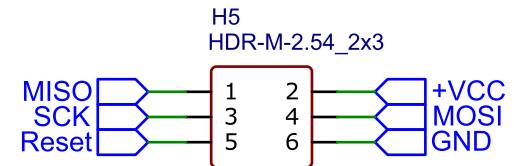
Arduino Digital I/O Pins (Right Side)



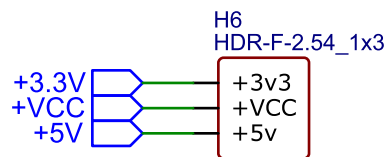
ATtiny 8-Pin Breakout Headers



External Power [Shield Must Be Unplugged!]

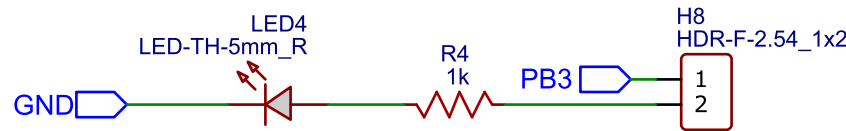


External ICSP Port - To Target Device



Arduino Supply Voltage Option

Warning: +5V operation must be selected when programming an ATtiny or any external target device. +3.3V is intended only for independent testing of ATtiny IC operation.



ATtiny PB3 Port LED for "Blink" sketch

Jumper to Disable LED

TITLE:

ICSP 8-Pin ATtiny Shield for Arduino Uno

REV: 1.0



Company: K4ICY.com

Sheet: 1/1

Date: 2023-06-21 Drawn By: K4ICY